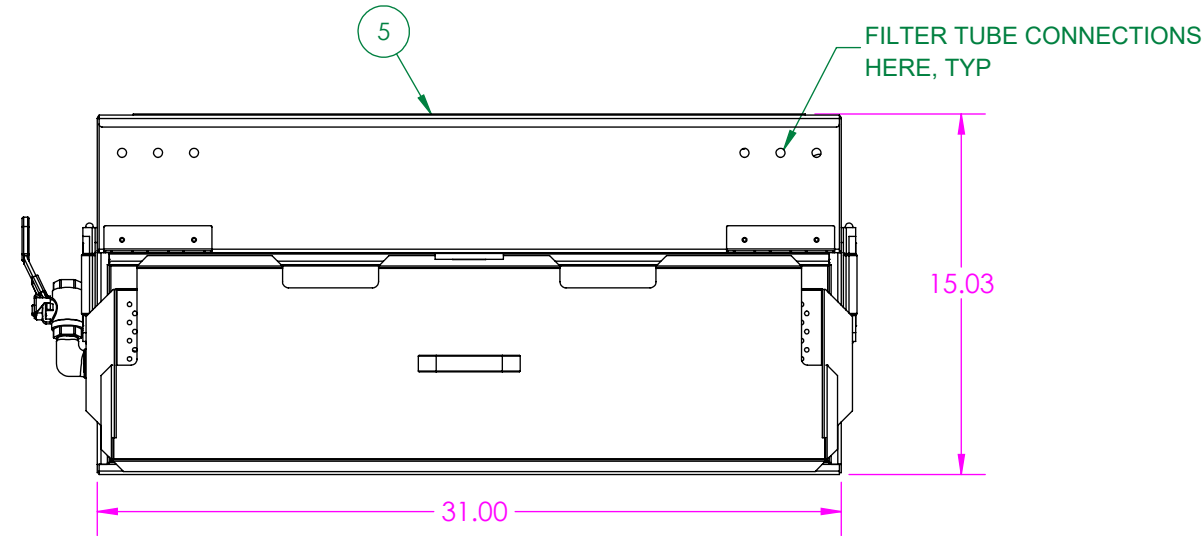


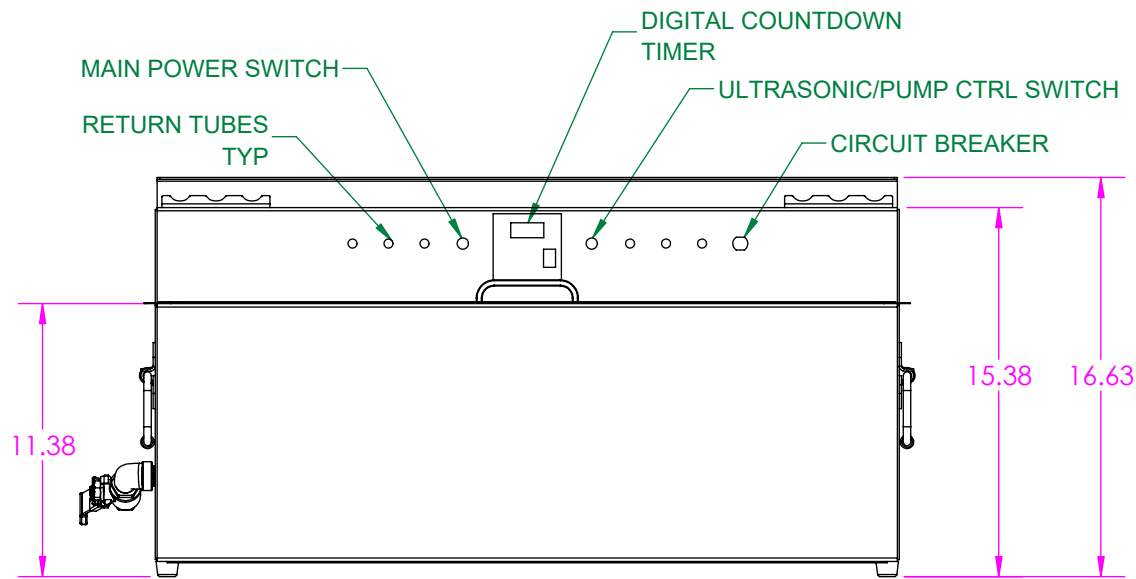
REMOVABLE LID



FILTER TUBE CONNECTIONS  
HERE, TYP

15.03

31.00



MAIN POWER SWITCH

RETURN TUBES  
TYP

DIGITAL COUNTDOWN  
TIMER

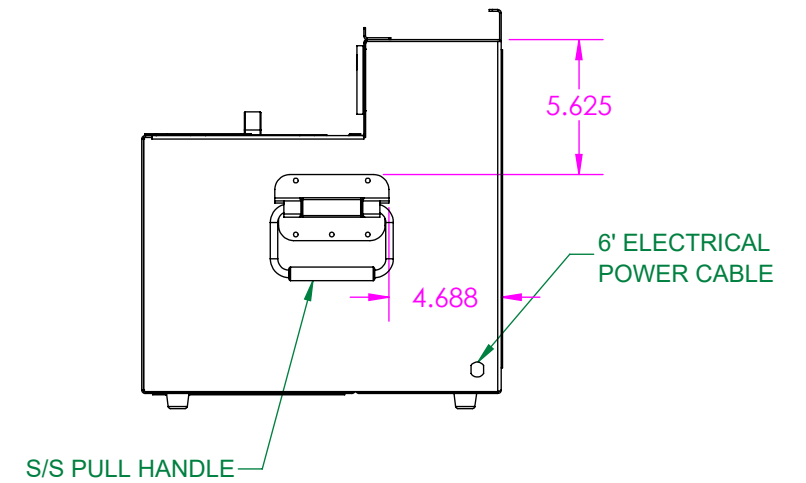
ULTRASONIC/PUMP CTRL SWITCH

CIRCUIT BREAKER

11.38

15.38

16.63

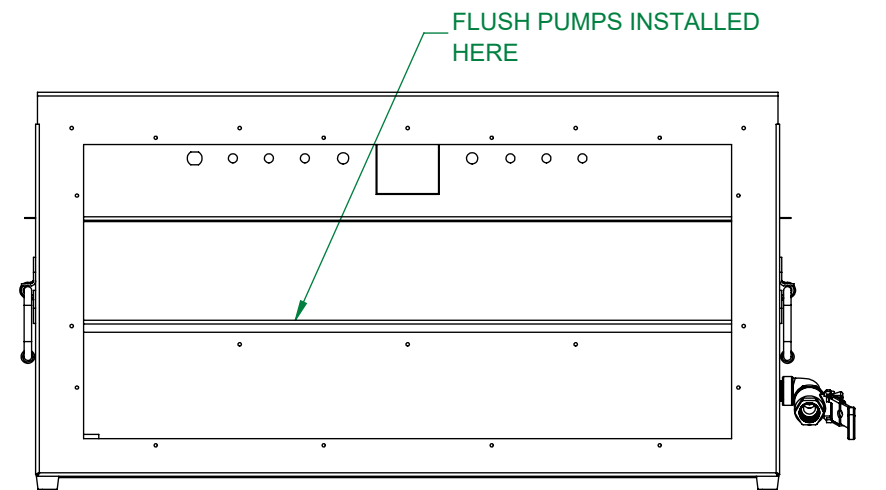


5.625

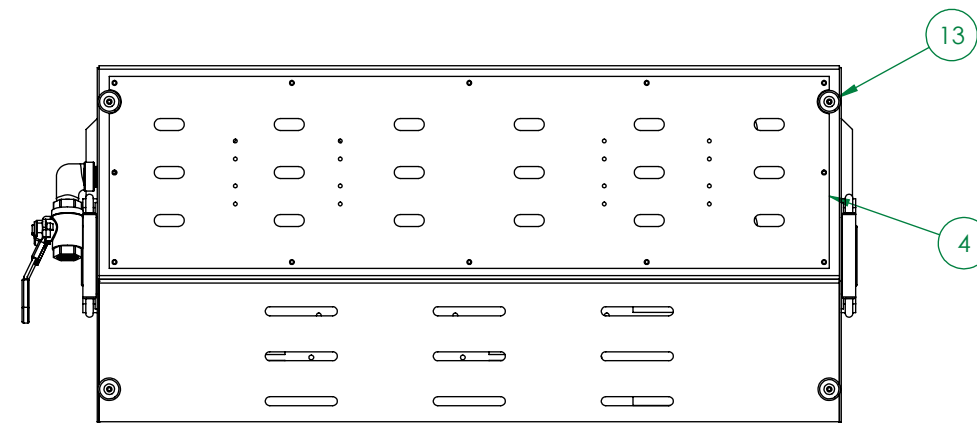
4.688

6' ELECTRICAL  
POWER CABLE

S/S PULL HANDLE



FLUSH PUMPS INSTALLED  
HERE



13

4

NOTE:  
- INTERNAL TANK DIMENSIONS = 8.25" x 30.00" x 6.00" DP  
(5 GALLON MAX. CAPACITY)  
- INCLUDES LEVEL CTRL SENSOR (NOT SHOWN)

NAME	DATE	COMMENTS	NAME	DATE	COMMENTS	NAME	DATE	COMMENTS	UNLESS OTHERWISE SPECIFIED:	REF DWG -	SCALE: 1:8	WEIGHT: 69.751	SHEET 2 OF 2	INVENTORY ADJ: Assembly - LBS	REV. A
LASER:			WELD:			DRAWN BY:	SMH	10/22/2019	TOLERANCES IN INCHES: FRACTIONAL ± 1/32 ANGULAR ± 0°25'						
DEBURR:			FINISH:			CHECKED BY:			ONE DECIMAL PLACE ± 0.063 TWO DECIMAL PLACE ± 0.031 THREE DECIMAL PLACE ± 0.015						
FORM:			ASSY:			ENG APPR:									

**TBJ**  
INCORPORATED

1671 Orchard Drive  
Chambersburg, PA 17201  
Phone (717) 261-9700 www.tbjinc.com

TITLE: **SURGISONIC ASSEMBLY**

MATERIAL: **Assembly**

MODEL: **SURGISONIC 1211X**

PART NO: **R20017**